

Wall mount bracket for vandal dome, vandal ball and vandal fisheye cameras

DWC-VAWM

DWC-VFWMW



WHAT'S IN THE BOX

| | | | | | |
|----------------------------|--|--------|-------------------|--|---|
| Camera Mounting Screws | M3.0x 10mm M3.0x 20mm M3.0x 23mm M3.0x 35mm | 5 sets | Mounting Pad | | 1 |
| | | | Mounting Template | | 1 |
| Screws and Plastic Anchors | | 4 | Quick Setup Guide | | 1 |

NOTE: Download all your support materials and tools in one place.

1. Go to: <http://www.digital-watchdog.com/resources>
2. Search your product by entering the part number in the **'Search by Product'** search bar. Results for applicable part numbers will populate automatically based on the part number you enter.
3. Click **'Search'**. All supported materials, including manuals and quick start guide (QSGs) will appear in the results.



INSTALLATION

- 1 Mark and drill the necessary holes on the mounting surface.
- 2 Secure the mounting bracket to the mounting surface using the screws and anchors that were included with the mount. Use the mounting pad between the bracket's arm and mounting surface as needed.
- 3 To mount the camera to the mounting accessory, remove the dome from the camera base using the wrench included with the camera.

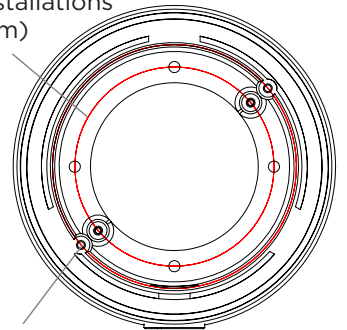
NOTE: Do not touch the lens when handling the camera.

- 4 Pass wires through and make all necessary connections.
- 5 Secure the camera to the mounting bracket using the included screws. See the table below for the length of the screws and compatible cameras.

| Screw size | Compatible camera | Installation Option |
|-----------------|---|-----------------------|
| 10mm screws | DWC-XSDH models | Installation option A |
| 20mm screws | DWC-XSDE models DWC-MV8 and DWC-MPV8 models DWC-MVC and DWC-MPVC models DWC-PVF and DWC-PPVF models DWC-MF and DWC-MPF models | Installation option A |
| 23mm screws | DWC-VA models DWC-MVA and DWC-MPVA models | Installation option B |
| 35mm screws | DWC-MVD and DWC-MPVD models | Installation option A |

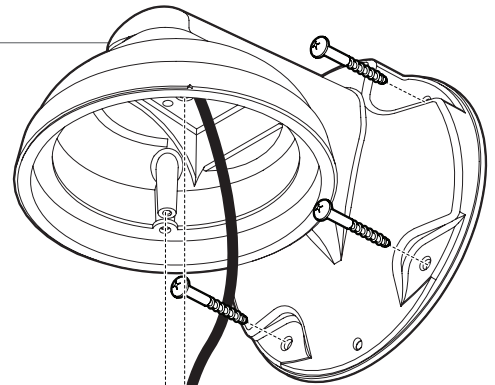
- 6 Adjust the camera's lens position and angle and place the cover dome on the camera base to complete the installation.

For type B installations
Ø3.5" (Ø89mm)

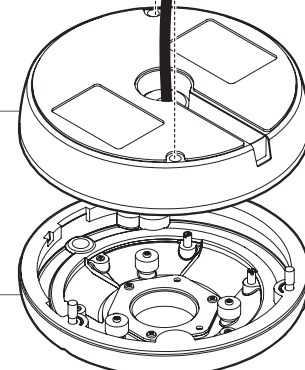


For type A installations
Ø4.29" (Ø109mm)

Wall
mount



Camera
module



Camera dome cover